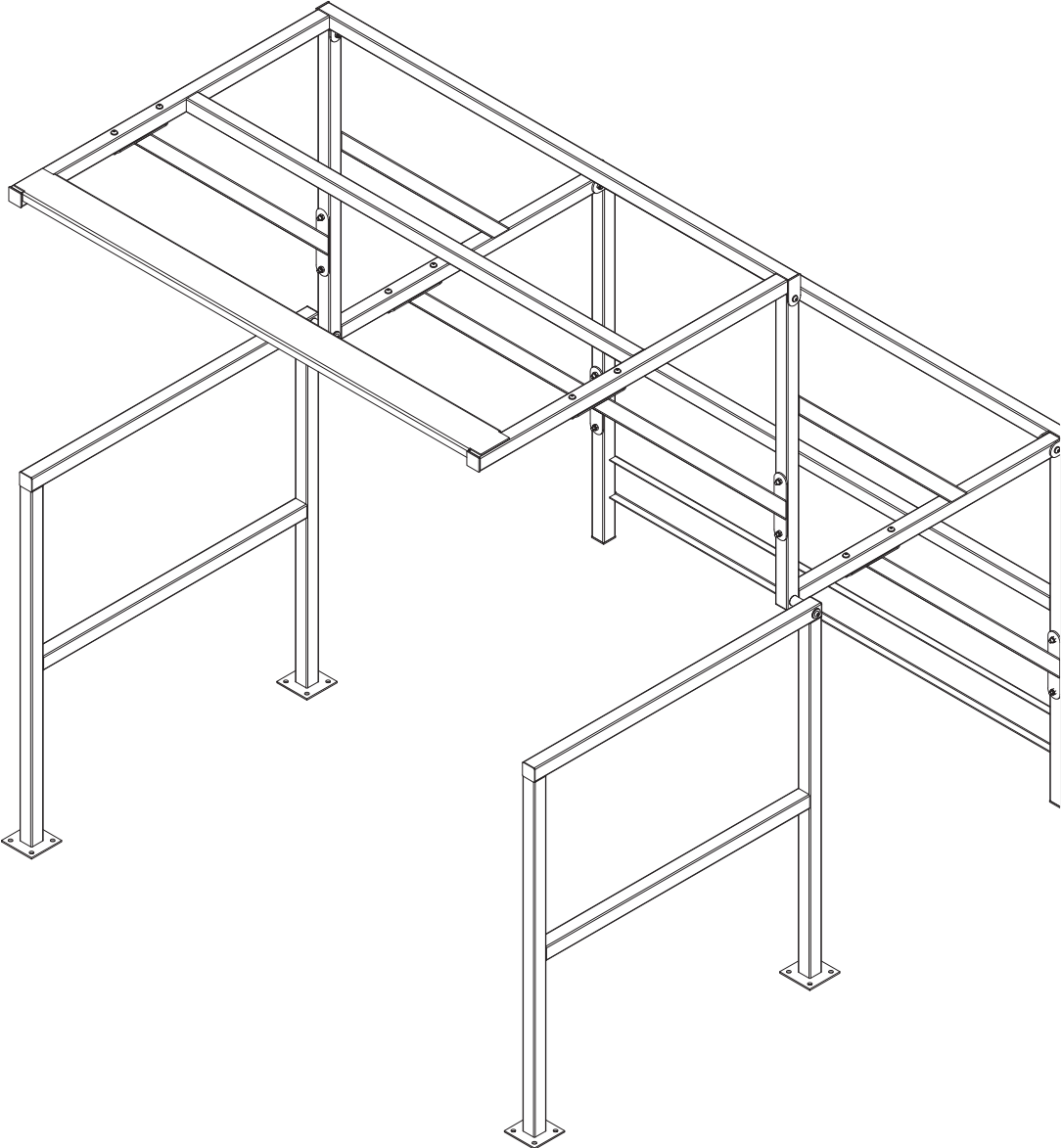




**MEZZANINE PIVOT GATE**

**MODEL: KI404**

**INSTRUCTION MANUAL**





## SAFETY NOTICE



Read this guide in full before installing, operating, or servicing the mezzanine safety gate. Failure to follow these instructions could result in injury or damage to property.

### GENERAL SAFETY GUIDELINES

- Operate the gate only from the front side.
- Never sit, stand, or crawl beneath the gate while it is in use.
- Install the unit on a solid, level surface and securely anchor it to the floor.
- Keep hands, feet, and objects clear of all moving parts and potential pinch points.

### BEFORE USING THE GATE

Prior to operation, the user must:

- Read and understand all safety information and operating procedures.
- Have the equipment inspected by a qualified person to ensure it is in proper working condition and safe or use.

### OPERATION GUIDELINES

- Use the gate only as described in this manual.
- Confirm that all components are properly installed and functioning correctly before use.

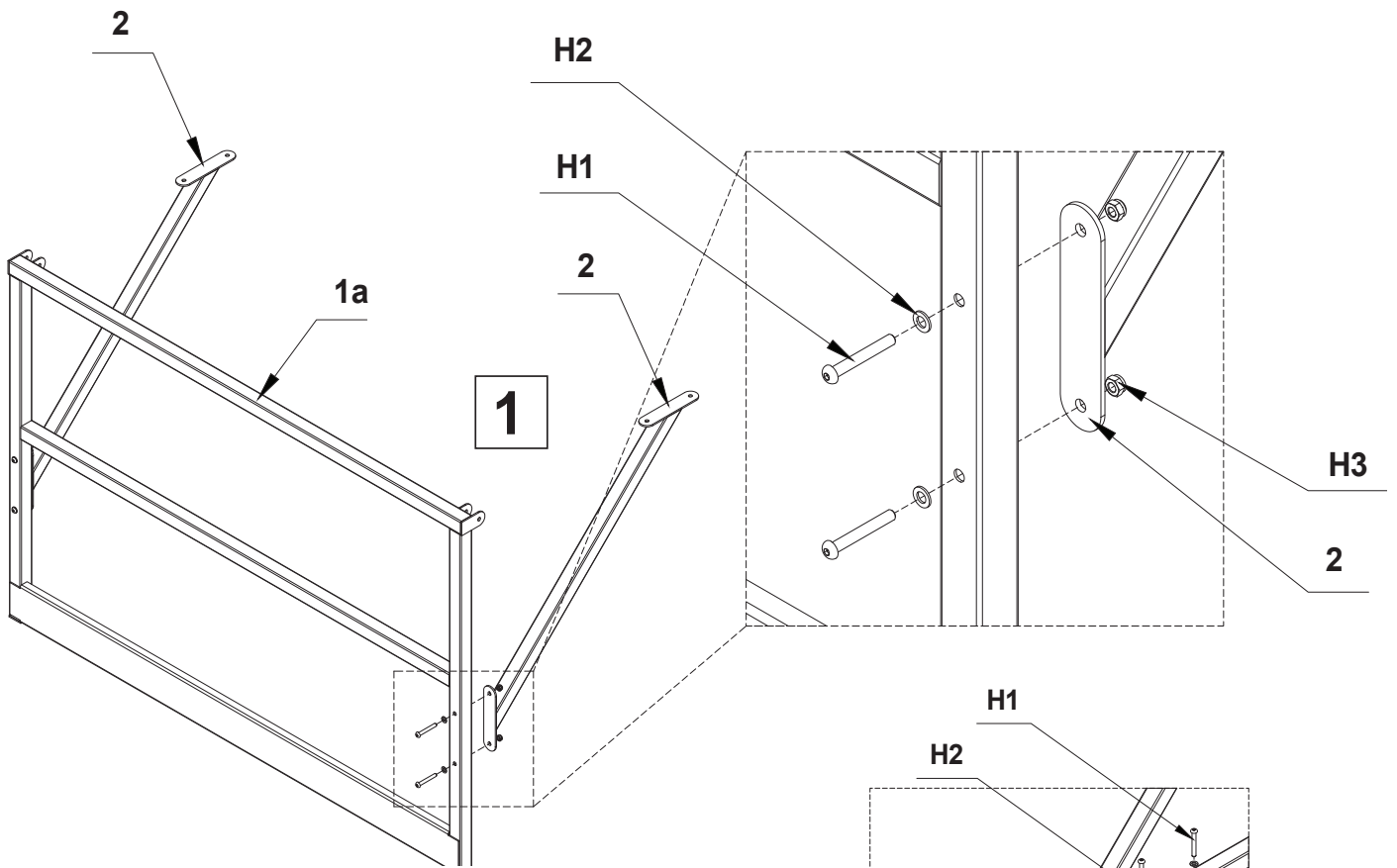
### MODIFICATIONS & REPAIRS

- Do not modify or alter this equipment in any way.
- Repairs must only be performed by qualified personnel.

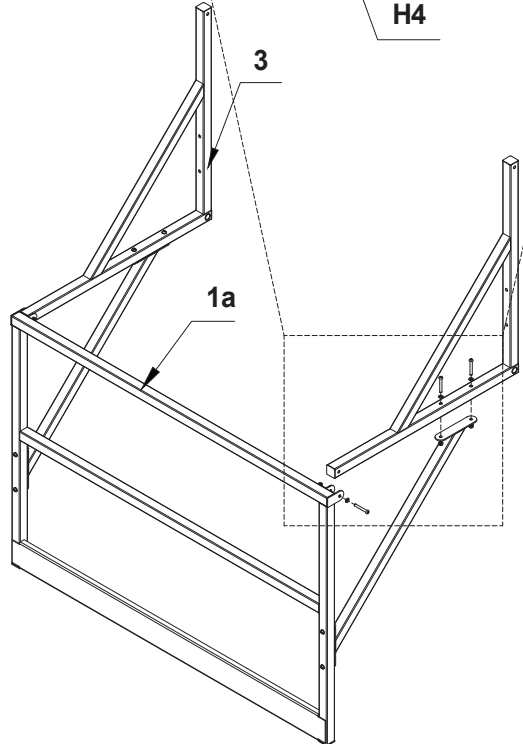
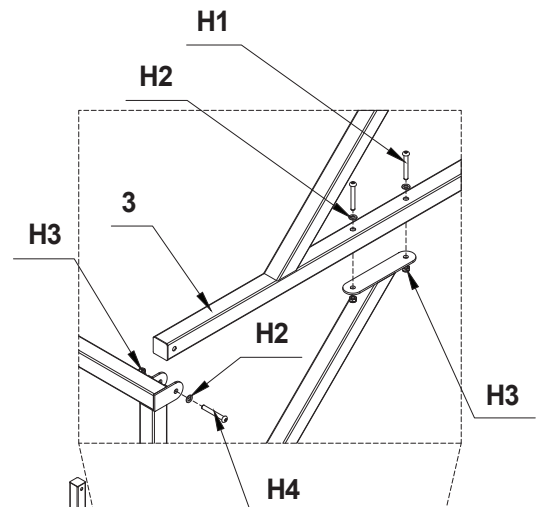
Contents		
Ref.	Qty.	Description
1a	1	Door Frame 1
1b	1	Door Frame 2
2	4	Connector Leg
3	2	Triangle Frame
4	1	Leg Frame
H1	16	M8 X 55 Phillips Pan Head
H2	16	Bolt D8 Washer
H3	20	M8 Nylon Lock Nut
H4	4	M8 X 60 Phillips Pan Head Bolt
H5	4	M8 x 20 Philips Pan Head Bolt
H6	2	Connector Tube
H7	4	D8 Washer
	2	Hex Keys

### NOTE:

Door Frame 1 (Ref. 1a) is for the guardrail side, and Door Frame 2 (Ref. 1b) is for the standing side. Always install Door Frame 1 first.



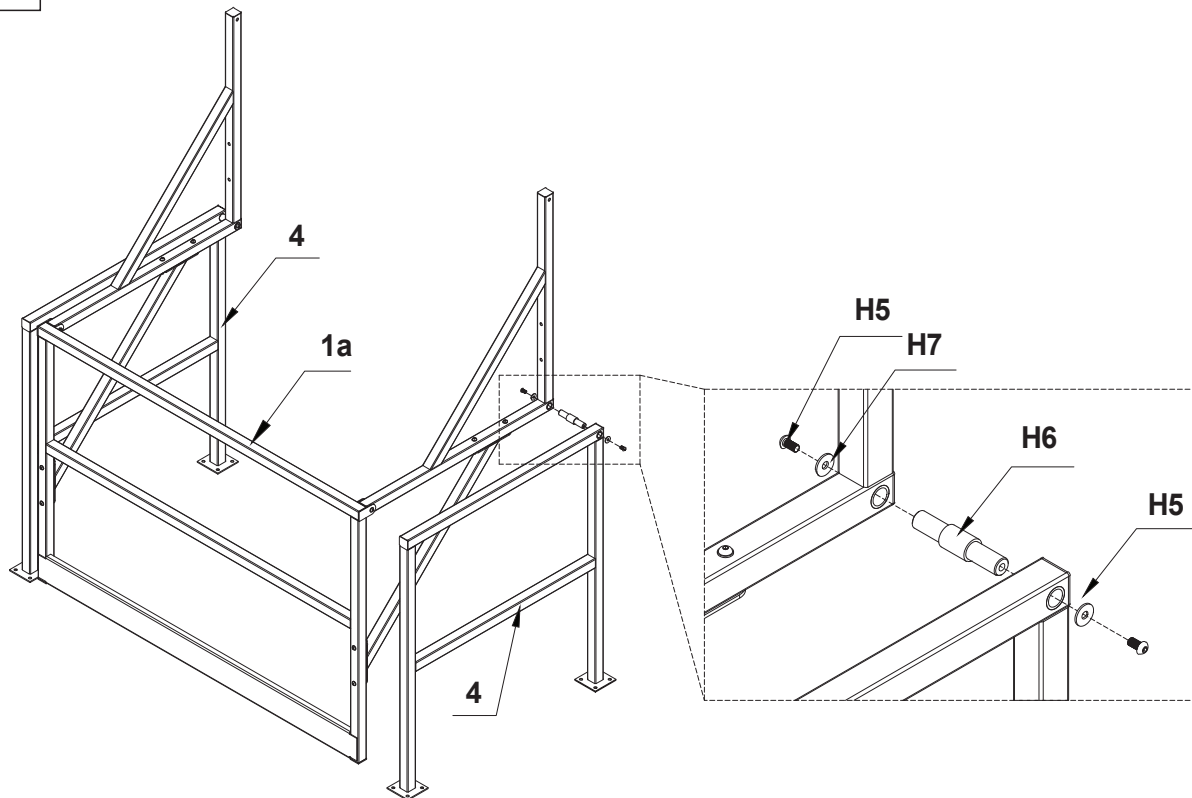
**2**



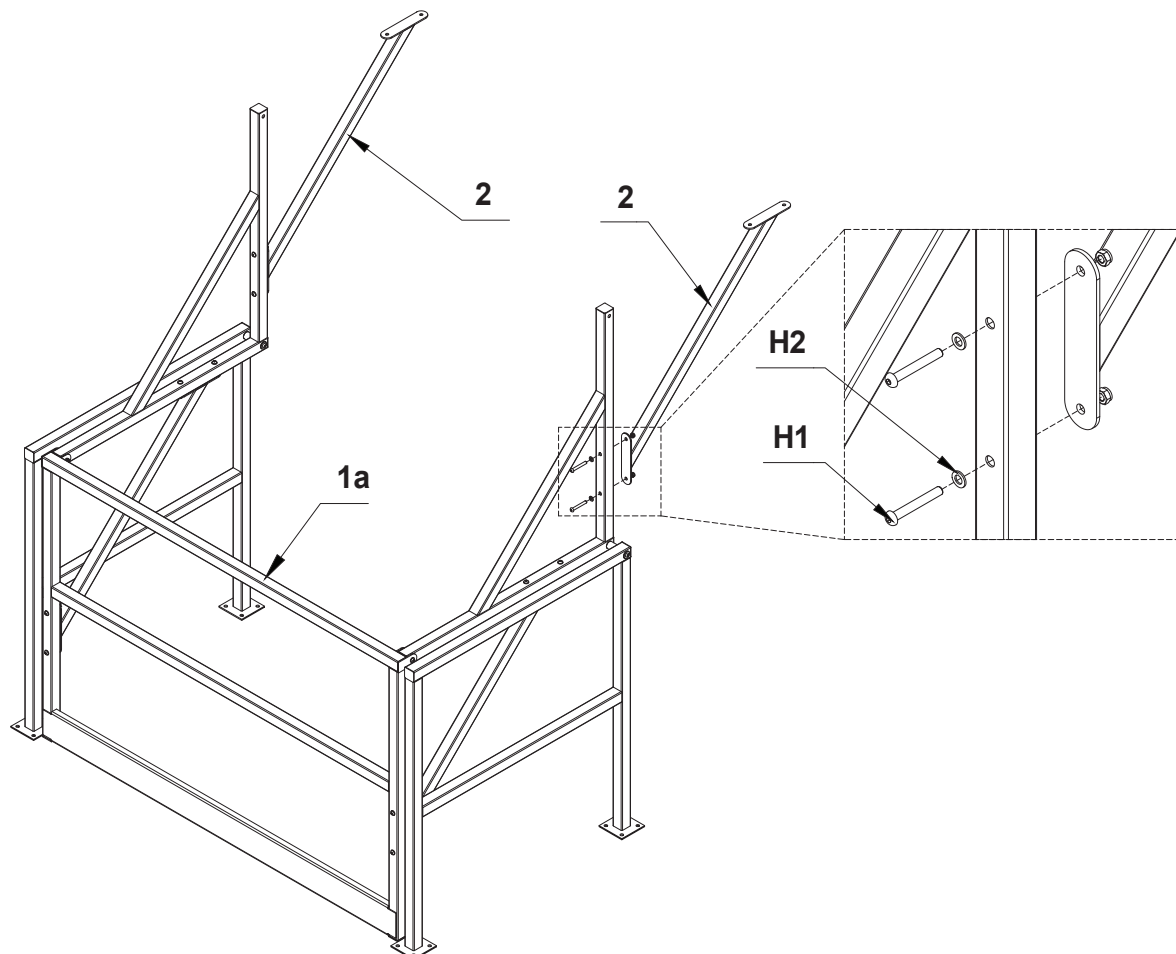
## IMPORTANT WARNINGS

- Do not climb on, under, or through the gate.
- Two people are required to safely move or install the gate.
- Do not use the gate if any parts are bent, cracked, or missing.
- Inspect and tighten all hardware at least every six months.
- Replace any rusted or damaged components immediately.
- Assembly and installation should always be done by two people for safety.

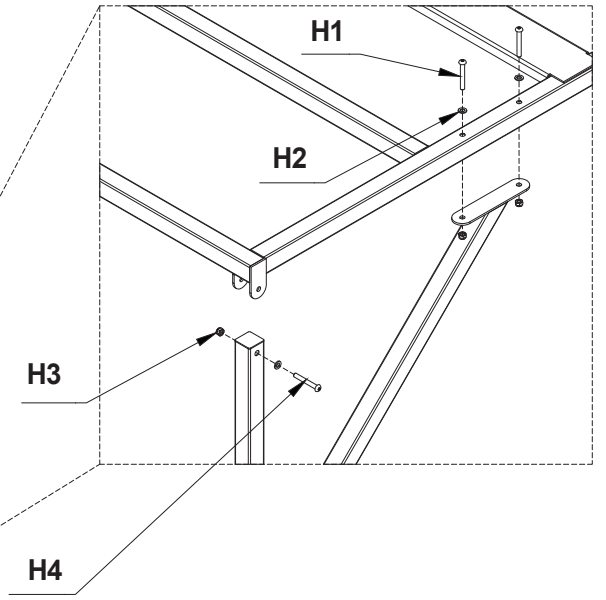
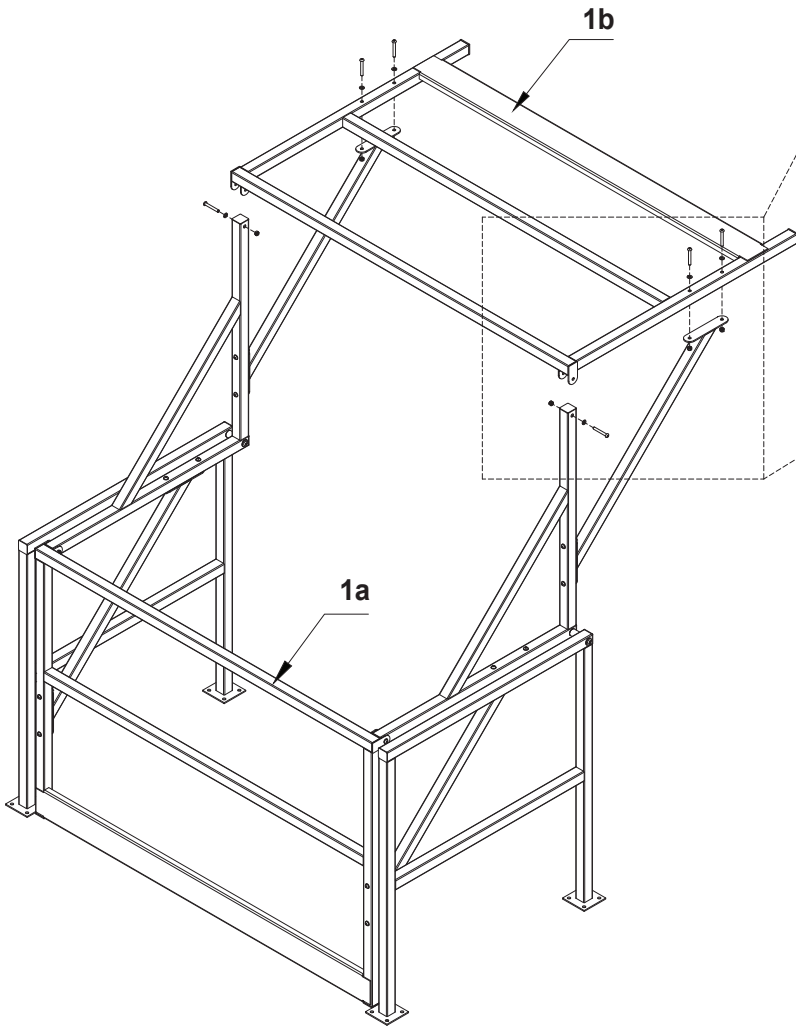
3



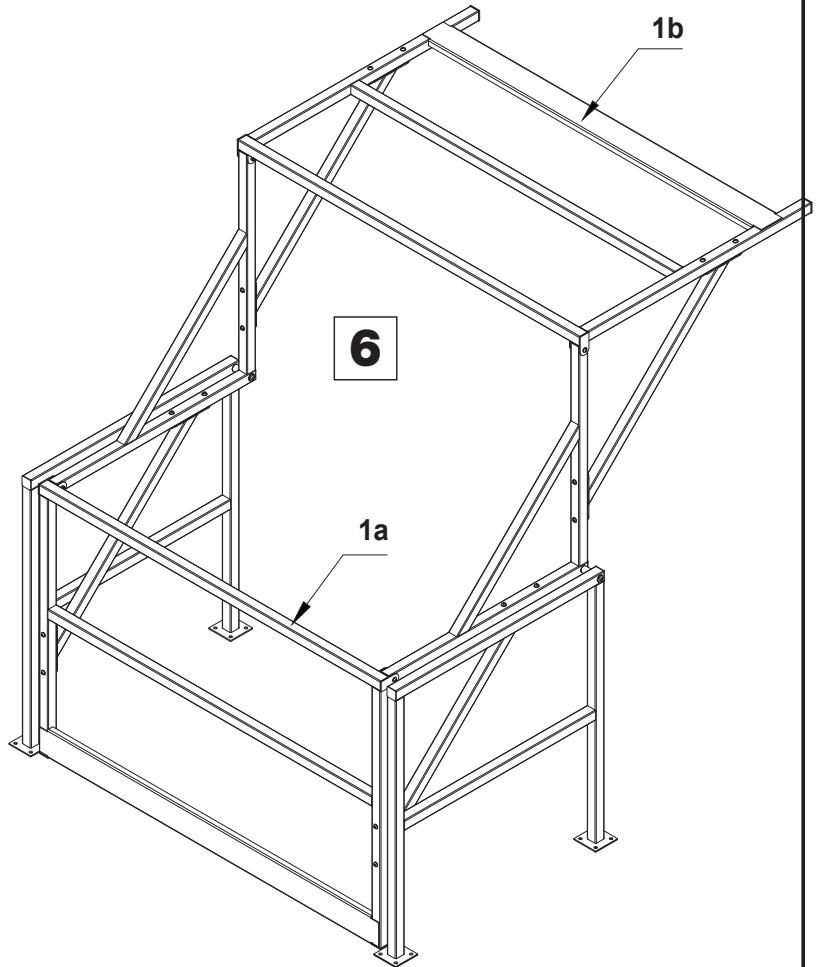
4

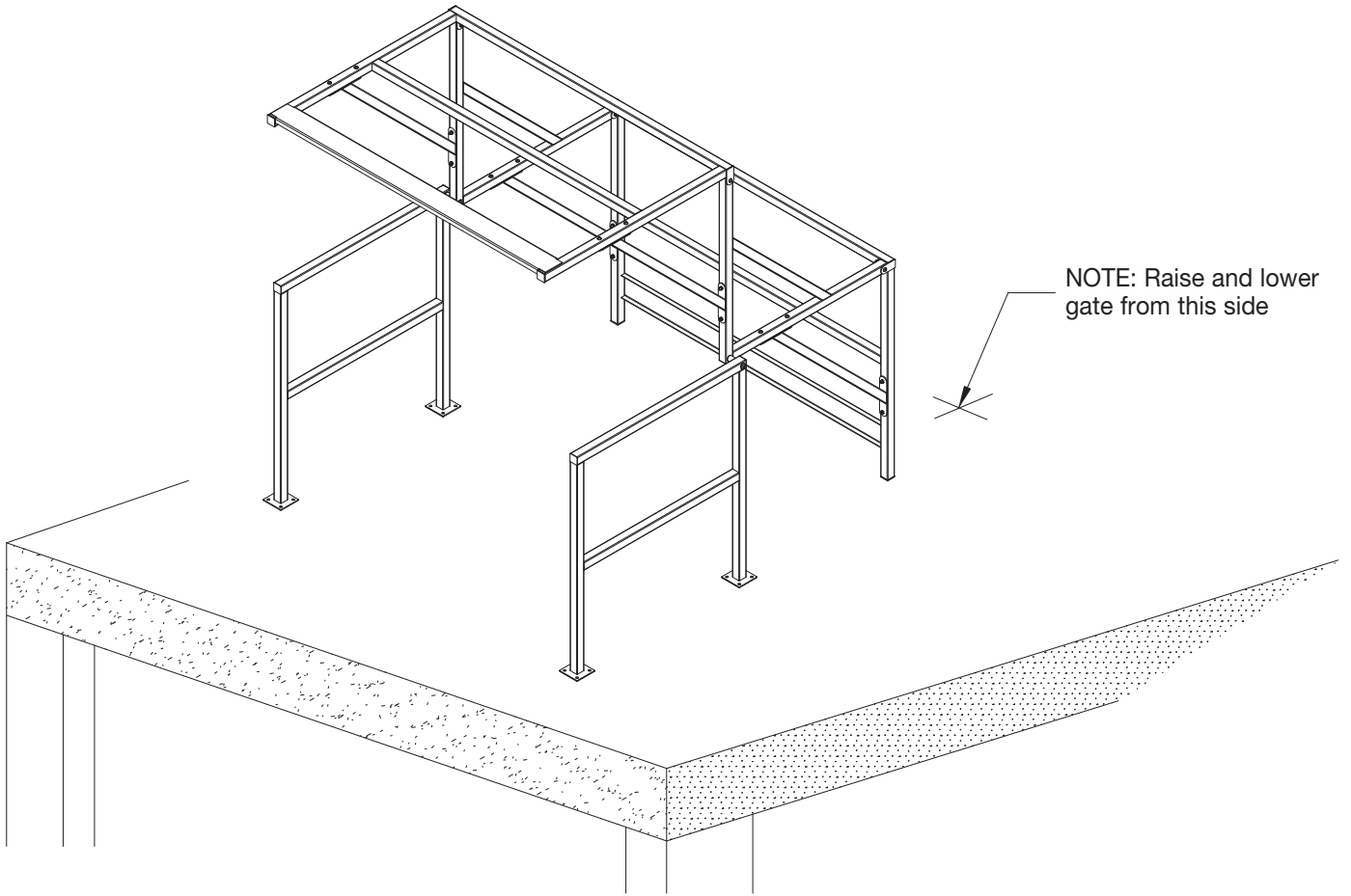


**5**



**6**





NOTE: Raise and lower gate from this side