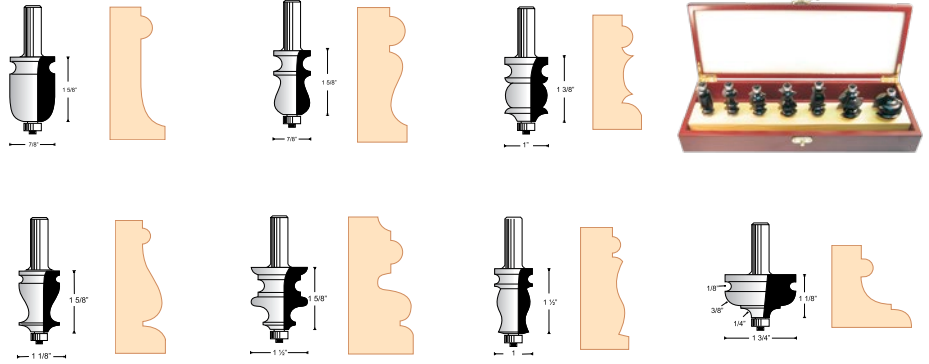




## 2-FLUTE, MOLDING SETS

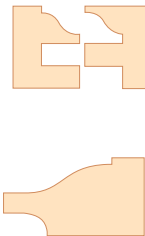
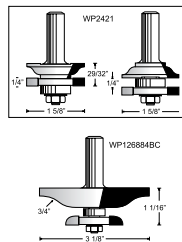
- Full size carbide tipped for better chip ejection
- 2.2 mm thick carbide for 10-15 sharpening
- CNC machined hardened body for vibration free operation
- Anti-lick-back body design for safe and easy feed
- Comes in a solid wood box
- 1/2" shank, 7 pieces

Model No. TBO347  
Price/Each \$



## 2-FLUTE, OGEE STYLE CABINET DOOR SETS W/BACK CUTTER

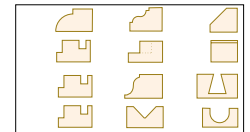
- Used for making stile and rail cuts with raised panels
- Design for raised panels on cabinet doors, frame and panel furniture and architectural panelling
- 1/2" shank



Model No.	Description	Price /Each
TBO346	3-PC. cabinet door set w/back cutter, includes 1 5/8" stile and rail, 3 1/8" raised panel bit	

## 3-FLUTE CARBIDE-TIPPED ROUTER BIT SETS

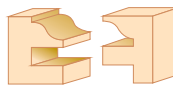
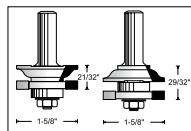
- 3 cutting edges for smoother, cleaner surface
- High quality carbide for longer edge life
- Thick carbide tips prolongs service life
- Chip limitation design for safe operation
- Hardened steel body for stable performance



Model No.	Description	Price /Each
TBO342	12 pieces, 3 Flutes, 1/4" Shank, Triangle Wood Box	
TBO343	12 pieces, 3 Flutes, 1/2" Shank, Triangle Wood Box	
TBO344	24 pieces, 3 Flutes, 1/4" Shank, Wood Box	
TBO345	24 pieces, 3 Flutes, 1/2" Shank, Wood Box	

## 2-FLUTE, RAIL & STILE SETS

- Full size carbide tipped for better chip ejection
- 2.2 mm thick carbide for 10-15 sharpening
- CNC machined hardened body for vibration free operation
- Comes in a solid wood box
- 1/2" shank, 1 5/8" dia., 2 29/64" length



Model No.	Description	Price /Each
TBO349	2-PC. rail and stile set	
TBO350	2-PC. rail and stile set	
TBO351	2-PC. rail and stile set	

## 4-FLUTE, TONGUE & GROOVE SETS

- Used to form self-aligning glue joints and to produce panelling
- This router bit set will make the process fast, accurate and repeatable
- 4 cutting edges for smoother, cleaner surface
- High quality carbide for longer edge life
- 1/2" shank



Model No.	Description	Price /Each
TBO348	Tongue and groove set, 1 39/64" dia. x 3/4" cut	